

MINI SHORTI Quick-Switch™ Users Guide - WDBP-9615-SH

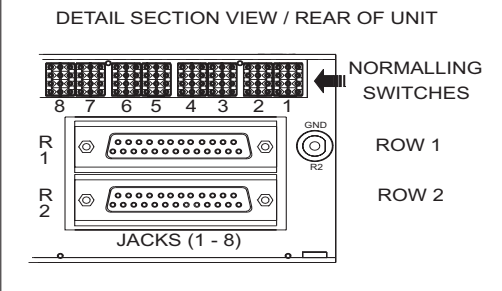
Normalling Setup Guide

The Quick-Switch normalling switches located on the rear of the unit allows you to set individual normals on a per-jack-pair basis. This enables you to Full-Normal (FN), Half-Normal (HN), or Non-Normal (NN) each vertical jack-pair. Grounding configurations are also programmable via the normalling switches. Grounding options include: IG (Isolated Grounds-all grounds are individual, as in isolated from one another), GVS (Grounds Vertically Strapped - when you need an individual ground path between vertical pairs of jacks), GB (Grounds Bussed - all grounds are bussed to the common ground post).

FACTORY SETTINGS:

Switches are set at the factory to Half-Normalled, with Grounds Bussed. If this configuration is not the one you plan to use, then we recommend resetting the switches to the desired settings before you install the patchbay. Locate the normalling switches on the top rear of the patchbay (see diagram below).

NORMALLING SWITCH LOCATIONS



DETAIL SECTION VIEW / REAR OF UNIT

NORMALLING SWITCHES

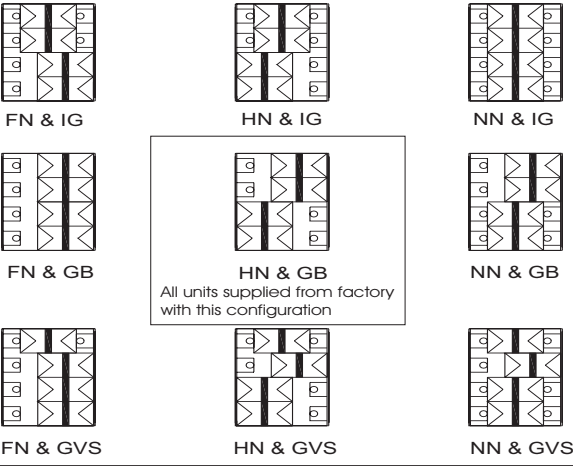
JACKS (1 - 8)

PINOUT

DB25(SubD)Connector Pinout			
Jack #	Tip (+)	Ring (-)	Sleeve (GND)
1	24	12	25
2	10	23	11
3	21	9	22
4	7	20	8
5	18	6	19
6	4	17	5
7	15	3	16
8	1	14	2

*****Caution*****

Slide switches left or right to the appropriate position
DO NOT PULL SWITCHES OFF
Irreplaceable damage will occur



FN & IG HN & IG NN & IG

FN & GB HN & GB NN & GB

FN & GVS HN & GVS NN & GVS

All units supplied from factory with this configuration

SWITCH SETTINGS

FN = FULL-NORMALLED

HN = HALF-NORMALLED (ROW 1 TO ROW 2)

NN = NON-NORMALLED

IG = ISOLATED GROUNDS

GVS = GROUNDS VERTICALLY STRAPPED

GB = GROUNDS BUSSED

Switch positions shown from rear view of the unit

Notes:

- WE SUGGEST LEAVING AT LEAST A 1-FOOT SERVICE LOOP ON ALL CABLES YOU CONNECT TO THE REAR OF THE PATCHBAY. THIS LOOP WILL ALLOW YOU TO MORE EASILY RECONFIGURE THE NORMALLING JUMPERS. WE ALSO RECOMMEND SECURING YOUR CABLES TO THE CABLE SUPPORT TRAY LOCATED ON THE REAR OF THE PATCHBAY.

audio accessories
audio-line

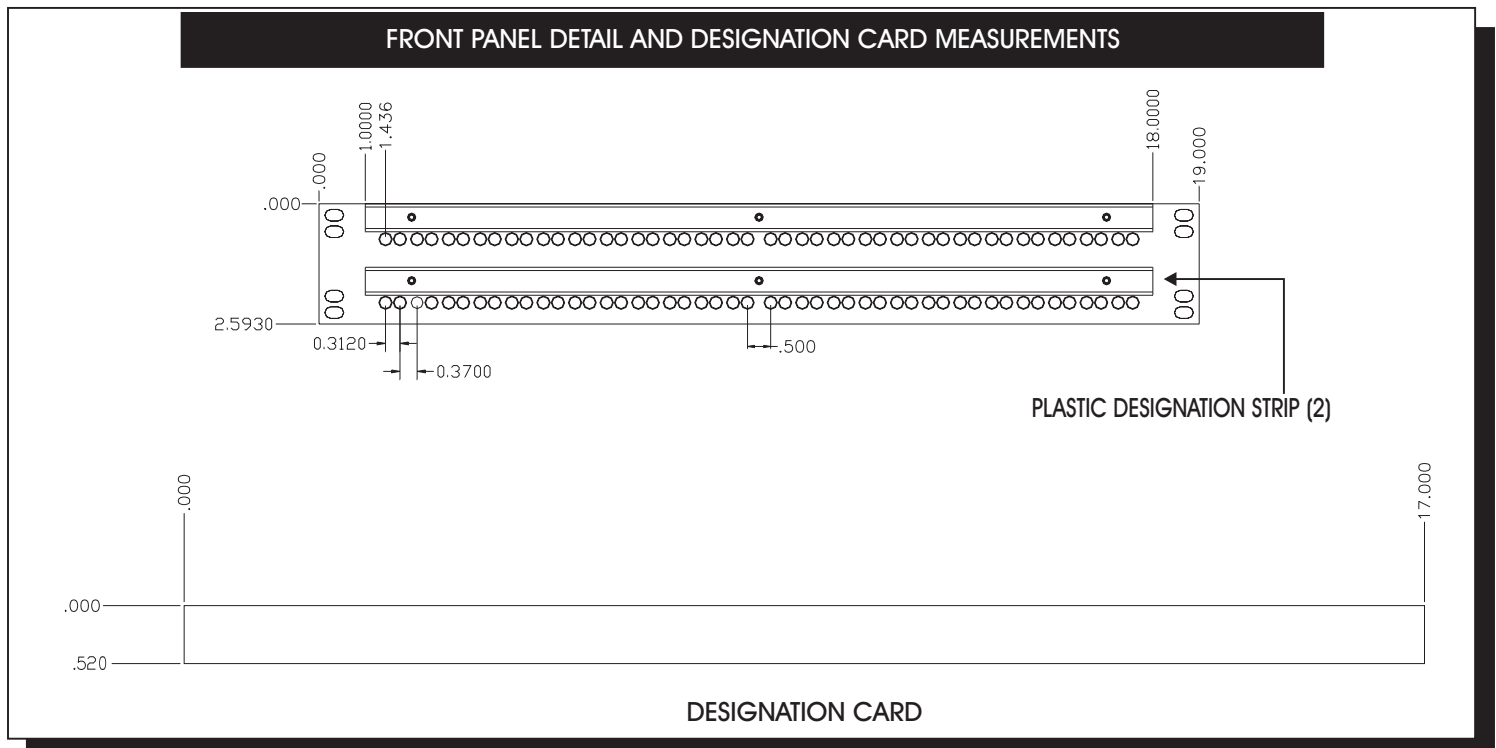
www.patchbays.com

MINI SHORTI Quick-Switch™ Users Guide - WDBP-9615-SH

Designation Strip & Cabling Guide

TO LABEL THE FRONT PANEL JACKS OF YOUR SHORTI PATCHBAY:

1. Designation (labeling) strips are located above each row of jacks on the front panel of the patchbay.
2. Designation strip cards (the labeling surface) measure 17" long X .520" high. Sample cards are included as a template.
3. We recommend using any of the commercially available spreadsheet or word processing programs to create clean and clear labels.
4. Using the measurements found on the front panel drawing below, arrange your labels so that they are legible, but do not crowd the designations of neighboring jacks.
5. Note that the clear protective covers provided with your designation strips have a thin opaque plastic film protecting them. When installing your designation strips, be sure to remove these films (otherwise your labels will appear cloudy).



CA LING RECOMMENDATIONS

We recommend leaving at least a 1-Foot service loop on all cables (the ones that you attach to the rear of the patchbay). This loop should be accessible beyond the rear tray, after you've tied down your cables using wire-wraps. The loop will allow you to remove the patchbay from the rack and pull it forward to help facilitate changes to the normalling pod settings. Without this loop, all cables will have to be removed before you can access the normalling switches.

PATCH CORDS

Each jack has a diameter of .172". Use only .172" ("MINI", also called "TT" and "Bantam") patch cords when patching into your MINI SHORTI patchbay. These patch cords are available from a variety of manufacturers, including Audio Accessories.